

This revision outlines changes that have occurred since the printing of your manual. Use this information to supplement your manual. The replacement pages are attached.

REVISION CHANGE:

In Section 7.7, “RX Front-End Section,” the following changes have been made:

Note: Changes are underlined.

- On page 7-104, the caption has been changed to: “HRE6001B/C, 6002C, 6003B/C, 6004B/C, 6011B/C, 6012B, 6014B UHF Receiver Front-End Preamp and Standard Schematics.”
- On page 7-105, the caption has been changed to: “HRE6001B/C, 6002C, 6003B/C, 6004B/C, 6011B/C, 6012B, 6014B UHF Receiver Front-End Hybrid Component Location Diagram.”
- On page 7-106, the following changes have been made:
 - The title of the first table has been changed to: “HRE6011B/C UHF RXFE Pre-Amp Parts List.”
 - The following items have been added:

Item No.	Motorola Part No.	Description
W128	3080152M07	CBL COAX ASSEMBLY ¹
	3080152M23	CBL COAX ASSEMBLY ²

Notes:

1. Valid in HRE6011B only.
2. Valid in HRE6011C only.

- On page 7-107, the following changes have been made:
 - The title of the first table has been changed to: “HRE6001B/C and HRE6002C UHF RXFE Standard Parts List.”
 - The following items have been added:

Item No.	Motorola Part No.	Description
W128	3080152M07	CBL COAX ASSEMBLY ³
	3080152M23	CBL COAX ASSEMBLY ⁴

Notes:

3. Valid in HRE6001B & HRE6002C only.
4. Valid in HRE6001C only.

- The title of the second table has been changed to: “HRE6003B/C and HRE6004B/C UHF RXFE Standard Parts List.”



- The following items have been added:

Item No.	Motorola Part No.	Description
W128	3080152M07 3080152M23	CBL COAX ASSEMBLY ³ CBL COAX ASSEMBLY ⁴

Notes:

3. Valid in HRE6003B & HRE6004B only.

4. Valid in HRE6003C & HRE6004C only.

In Section 7.8, "Power Amplifier Section," the following changes have been made:

Note: Changes are underlined.

- On page 7-128, the caption has been changed to: "HLE6043C/D, HLE6044C/D, and HLE6049B/C UHF 40-Watt PA Schematic."
- On page 7-129, the caption has been changed to: "HLE6043C/D, HLE6044C/D, and HLE6049B/C UHF 40-Watt PA Component Location Diagram, Side 1."
- On page 7-130, the caption has been changed to: "HLE6043C/D, HLE6044C/D, and HLE6049B/C UHF 40-Watt PA Component Location Diagram, Side 2."
- On page 7-131, the following changes have been made:
 - The title of the first table has been changed to: "HLE6043C/D UHF R3 40-Watt Parts List."
 - The title of the second table has been changed to: "HLE6044C/D UHF R3 40-Watt PA Parts List."
- On page 7-132, the caption has been changed to: "HLE6049B/C UHF R1 40-Watt PA Parts List."

HRD6001G/HRD6002G/HRD6011G/HRD6012G VHF RXFE
Parts List

ITEM	MOTOROLA PART NUMBER	DESCRIPTION
C3100	2113740B35 ¹ 2113740B31 ² 2113740B35 ³ 2113740B31 ⁴	CAP CHIP REEL CL1 +/-30 27
C3101	2113740B32 ¹ 2113740B35 ² 2113740B32 ³ 2113740B35 ⁴	CAP CHIP REEL CL1 +/-30 20
C3102	2113740B32 ¹ 2113740B31 ² 2113740B34 ³ 2113740B31 ⁴	CAP CHIP REEL CL1 +/-30 20
C3103	2113740B31 ¹ 2113740B35 ² 2113740B31 ³ 2113740B35 ⁴	CAP CHIP REEL CL1 +/-30 18
C3104	2113740B13 ¹ 2113740B09 ² 2113740B13 ³ 2113740B09 ⁴	CAP CHIP REEL CL1 +/-30 3.3
C3105 & C3106	2113740B11	CAP CHIP REEL CL1 +/-30 2.7
C3107	2113740B11 ¹ 2113740B13 ² 2113740B11 ³ 2113740B13 ⁴	CAP CHIP REEL CL1 +/-30 2.7
C3108 & C3109	2111078B15 ¹ 2111078B16 ² 2111078B15 ³ 2111078B16 ⁴	CAP CHIP RF 12 5 NPO 100V
C3110	2111078B15 ¹ 2111078B16 ² 2111078B15 ³ 2111078B16 ⁴	CAP CHIP RF 12 5 NPO 100V
C3125	2113740B29	CAP CHIP REEL CL1 +/-30 15
C3126	2113740B35	CAP CHIP REEL CL1 +/-30 27
C3150 thru C3153	2113740B27	CAP CHIP REEL CL1 +/-30 12
C3154	2111078B25	CAP CHIP RF 27 5 NPO 100V
C3200	2113740B27 ¹ 2113740B25 ² 2113740B27 ³ 2113740B25 ⁴	CAP CHIP REEL CL1 +/-30 12
C3201	2113740B23 ¹ 2113740B23 ² 2113740B23 ³ 2113740B25 ⁴	CAP CHIP REEL CL1 +/-30 8.2
C3202	2113740B65	CAP CHIP REEL CL1 +/-30 470

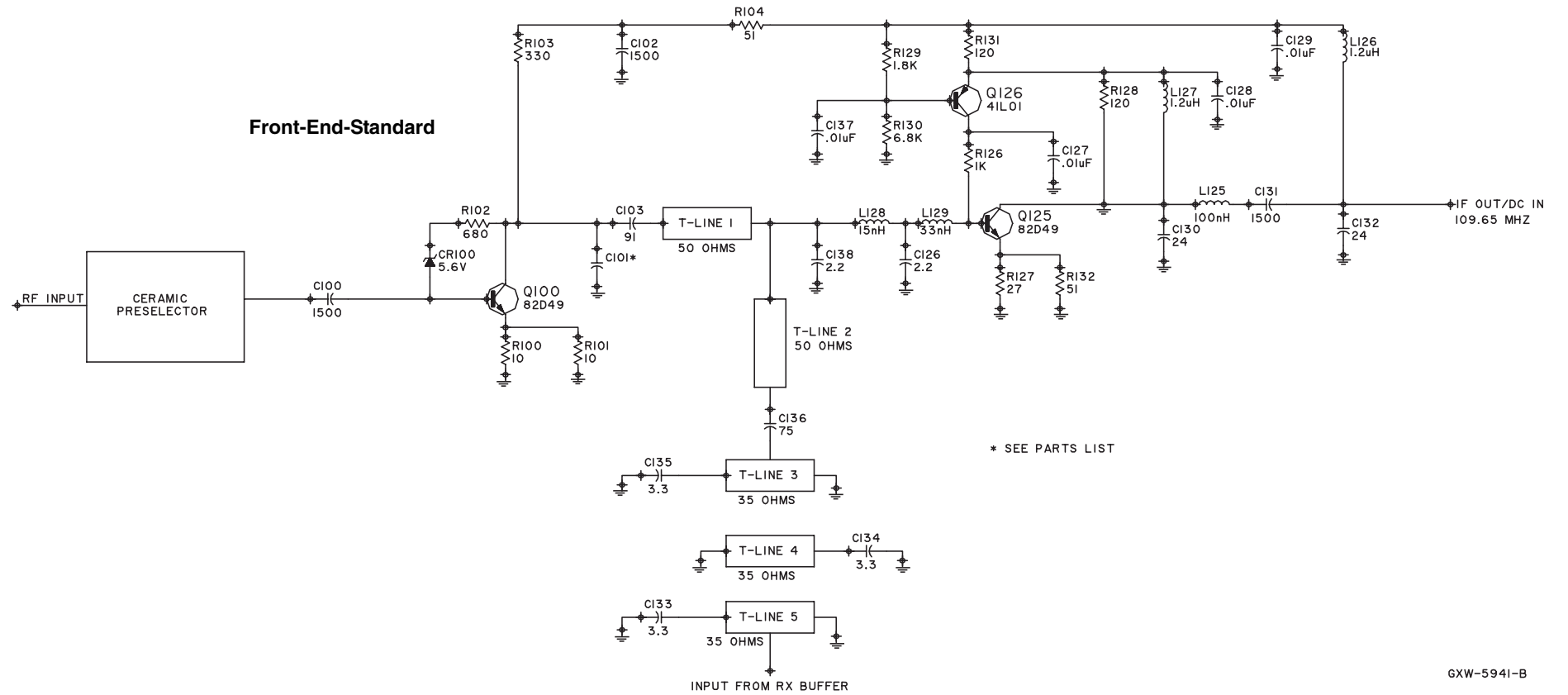
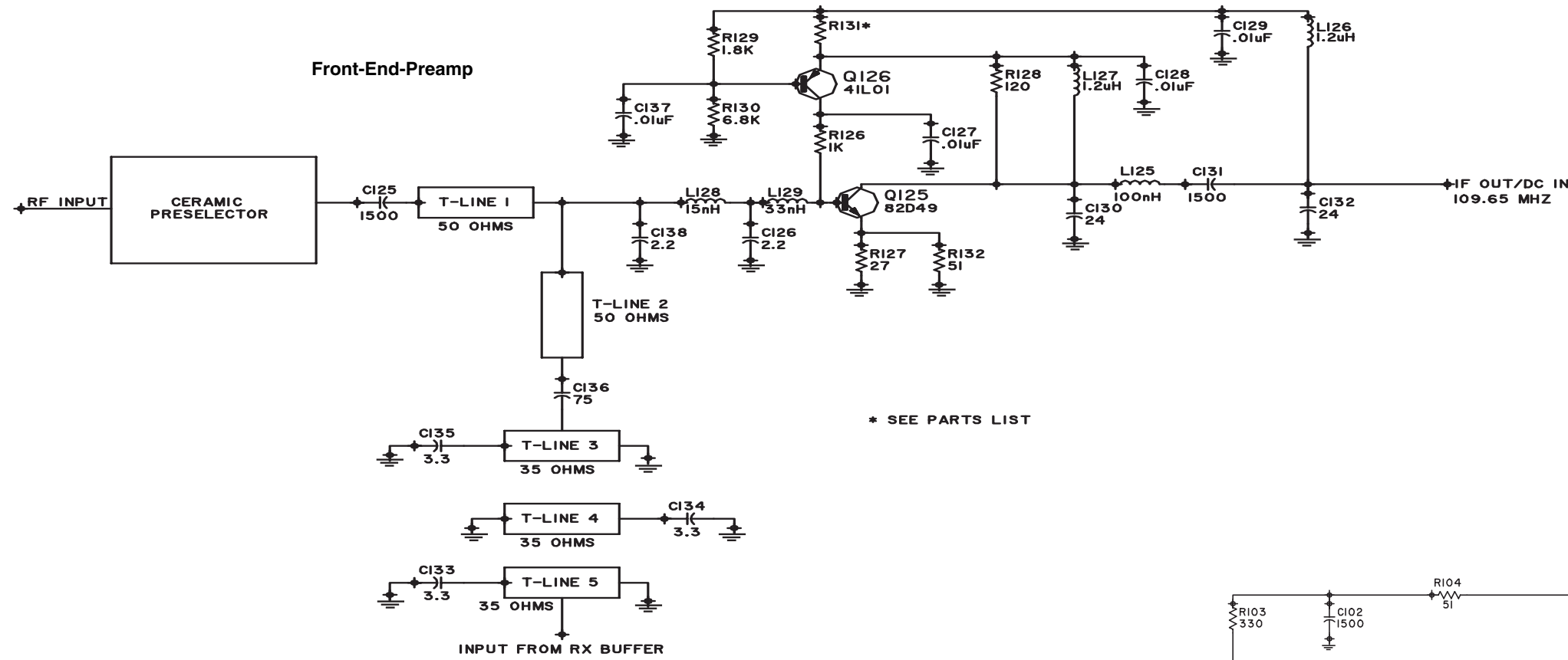
ITEM	MOTOROLA PART NUMBER	DESCRIPTION
C3203	2113740B49	CAP CHIP REEL CL1 +/-30 100
C3205	2113741N45	CAP CHIP CL2 X7R 10% 10000
C3206	2113741N45	CAP CHIP CL2 X7R 10% 10000
C3207	2113741N45	CAP CHIP CL2 X7R 10% 10000
C3208	2113741N45	CAP CHIP CL2 X7R 10% 10000
C3209	2113740B31	CAP CHIP REEL CL1 +/-30 18
C3210	2113740B32	CAP CHIP REEL CL1 +/-30 20
CR3126 & CR3127	4880154K03	DIODE DUAL SCHOTTKY MIXER
CR3200 & CR3201	4880154K03	DIODE DUAL SCHOTTKY MIXER
J3102	0980110M01	RECP COAX PCB MOUNT
JU3175	0611077A01 ¹ 0611077A01 ² NOTPLACED ³ NOTPLACED ⁴	RES CHIP JUMPER
JU3176	NOTPLACED ¹ 0611077A01 ² NOTPLACED ³ 0611077A01 ⁴	RES CHIP JUMPER
JU3177	NOTPLACED ¹ NOTPLACED ² 0611077A01 ³ 0611077A01 ⁴	RES CHIP JUMPER
JU3178	0611077A01 ¹ NOTPLACED ² 0611077A01 ³ NOTPLACED ⁴	RES CHIP JUMPER
JU3179	NOTPLACED ¹ 0611077A01 ² NOTPLACED ³ 0611077A01 ⁴	RES CHIP JUMPER
JU3180	0611077A01 ¹ NOTPLACED ² 0611077A01 ³ NOTPLACED ⁴	RES CHIP JUMPER
JU3181	NOTPLACED ¹ NOTPLACED ² 0611077A01 ³ 0611077A01 ⁴	RES CHIP JUMPER
JU3182	0611077A01 ¹ 0611077A01 ² NOTPLACED ³ NOTPLACED ⁴	RES CHIP JUMPER
L3100 thru L3104	2480148M04	IND 3 1/2 TURNS FER CORE 62NH

ITEM	MOTOROLA PART NUMBER	DESCRIPTION
L3125 & L3126	2480140E06	INDUCTOR CHIP 130 NH
L3150 & L3151	2480091G23	COIL AIRWOUND
L3200	2480140E06	INDUCTOR CHIP 130 NH
L3201	2480140E03	INDUCTOR CHIP 50 NH
L3202 & L3203	2480140E06	INDUCTOR CHIP 130 NH
L3204	2480140E01	INDUCTOR CHIP 1.2 UH
M3000	2980014A03	CLIP COAX TERMINAL
M3001	2980014A03	CLIP COAX TERMINAL
Q3200	4880141L01	TSTR PNP SOT23 LO PROFILE TAPE
Q3201	4880141L01	TSTR PNP SOT23 LO PROFILE TAPE
Q3202	4802000P02	NEC SILICON TR 2SC3357 RE
R3100	0611077A26 ¹ 0611077A26 ² 0611077A01 ³ 0611077A01 ⁴	RES CHIP 10 5 1/8W
R3101	0611077A70 ¹ 0611077A70 ² NOTPLACED ³ NOTPLACED ⁴	RES CHIP 680 5 1/8W
R3125	0611077A68 ¹ 0611077A68 ² NOTPLACED ³ NOTPLACED ⁴	RES CHIP 560 5 1/8W
R3126	0611077A26 ¹ 0611077A26 ² 0611077A01 ³ 0611077A01 ⁴	RES CHIP 10 5 1/8W
R3127	0611077A68 ¹ 0611077A68 ² NOTPLACED ³ NOTPLACED ⁴	RES CHIP 560 5 1/8W
R3128	0611077A43	RES CHIP 51 5 1/8W
R3130	0611077A01	RES CHIP JUMPER
R3131 & R3132	NOTPLACED	-----
R3200	0611077A43 ¹ 0611077A43 ² NOTPLACED ³ NOTPLACED ⁴	RES CHIP 51 5 1/8W
R3201	0611077A98	RES CHIP 10K 5 1/8W
R3202	0611077B15	RES CHIP 47K 5 1/8W
R3203	0611077A43	RES CHIP 51 5 1/8W
R3204	0611077A01	RES CHIP JUMPER
R3205	0611077A98	RES CHIP 10K 5 1/8W
R3206	0611077A36 ¹ 0611077A36 ² 0611077A10 ³ 0611077A10 ⁴	RES CHIP 27 5 1/8W

ITEM	MOTOROLA PART NUMBER	DESCRIPTION
R3208	0611077A26	RES CHIP 10 5 1/8W
R3209	0611077A72	RES CHIP 820 5 1/8W
R3210	0611077A72 ¹ 0611077A72 ² NOTPLACED ³ NOTPLACED ⁴	RES CHIP 820 5 1/8W
SH1	2680003M03	SHLD HI IF TIN PLATED
SH2	2680004M03	SHLD OUTPUT MATCH TIN PLATED
SH3	2680003M03	SHLD HI IF TIN PLATED
T3126 & T3127	2405548Q06	TRANSFORMER, RF

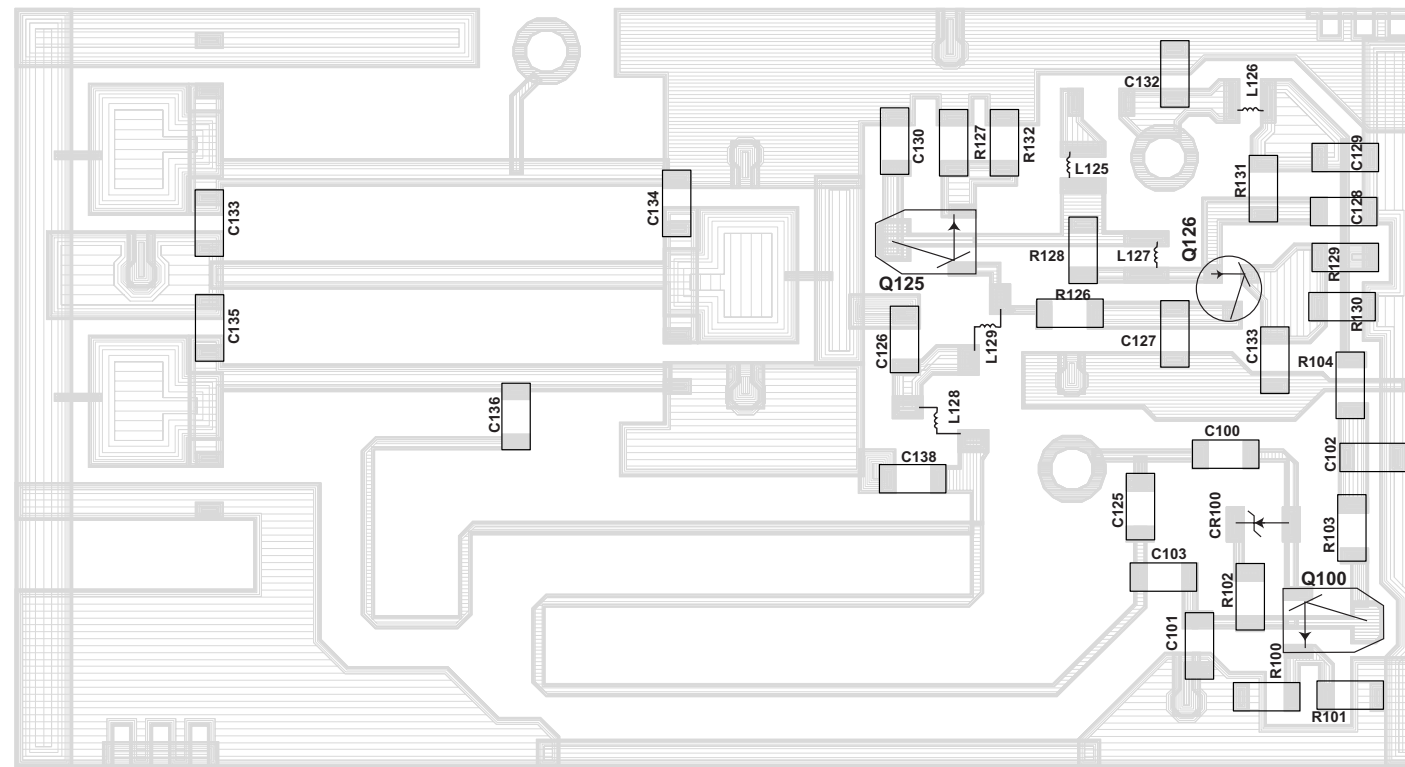
Notes:

1. Valid in HRD6001G.
2. Valid in HRD6002G.
3. Valid in HRD6011G.
4. Valid in HRD6012G.



HRE6001B/C,6002C,6003B/C,6004B/C,6011B/C,6012B,6014B UHF Receiver Front-End Preamp and Standard Schematics

GXW-5941-B



HRE6001B/C,6002C,6003B/C,6004B/C,6011B/C,6012B,6014B UHF Receiver Front-End Hybrid Component Location Diagram

HRE6011B/C UHF RXFE Pre-Amp Parts List

ITEM	MOTOROLA PART NUMBER	DESCRIPTION
C100	2113740B76	CAP CHIP REEL CL1 +/-30 1500
C101	2113740B19	CAP CHIP REEL CL1 +/-30 5.6
C102	2113740B76	CAP CHIP REEL CL1 +/-30 1500
C103	2113740B48	CAP CHIP REEL CL1 +/-30 91
C126	2113740B11	CAP CHIP REEL CL1 +/-30 2.7
C127 thru C129	2113741N45	CAP CHIP CL2 X7R 10% 10000
C130	2113740B34	CAP CHIP REEL CL1 +/-30 24
C131	2113740B76	CAP CHIP REEL CL1 +/-30 1500
C132	2113740B34	CAP CHIP REEL CL1 +/-30 24
C133 thru C135	2113740B17	CAP CHIP REEL CL1 +/-30 4.7
C136	2113740B46	CAP CHIP REEL CL1 +/-30 75
C137	2113741N45	CAP CHIP CL2 X7R 10% 10000
C138	2113740B17	CAP CHIP REEL CL1 +/-30 4.7
CR100	4882958R78	DIODE 48R82958R01 A/P 5.6V
E125	2680015P02	SHLD RXFE UHF TIN PLATED
E126	2680002M02	SHLD INJ FLTR TIN PLATED
HY126	9180209N01	FLTR BANDPASS CERAMIC 417 MHZ
JU5125	-----	PART NOT USED
L125	2480140E10	INDUCTOR CHIP 100NH
L126 & L127	2480140E01	INDUCTOR CHIP 1.2 UH
L128	2480091G21	COIL AIRWOUND
L129	2480091G33	COIL AIRWOUND
MP126	0780091P01	BRACKET RX FE UHF
MP127	0780214N01	FRAME PRESELECTOR LEAD
MP128	4280191N01	CLIP RECEIVER GROUNDING
MP129	4280013P01	RETAINER WIRE
MP130	4380025P01	SPACER WIRE
Q100 & Q125	4802000P02	NEC SILICON TR 2SC3357 RE
Q126	4880141L01	TSTR PNP SOT23 LO PROFILE TAPE
R100 & R101	0611077A26	RES CHIP 10 5 1/8W
R102	0611077A70	RES CHIP 680 5 1/8W

ITEM	MOTOROLA PART NUMBER	DESCRIPTION
R103	0611077A62	RES CHIP 330 5 1/8W
R104	0611077A43	RES CHIP 51 5 1/8W
R126	0611077A74	RES CHIP 1000 5 1/8
R127	0611077A36	RES CHIP 27 5 1/8W
R128	0611077A52	RES CHIP 120 5 1/8W
R129	0611077A80	RES CHIP 1800 5 1/8
R130	0611077A94	RES CHIP 6800 5 1/8
R131	0611077A50	RES CHIP 100 5 1/8W
R132	0611077A43	RES CHIP 51 5 1/8W
W128	3080152M07 3080152M23	CBL COAX ASSEMBLY ¹ CBL COAX ASSEMBLY ²
W642	3080037R05	CABLE ASSEMBLY
	8480241N02	HYBRID CKT BD UHF F/E
	0980212N02	RECP COAX PCB MOUNT

Notes:
 1. Valid in HRE6011B only.
 2. Valid in HRE6011C only.

HRE6012B UHF RXFE Pre-Amp Parts List

ITEM	MOTOROLA PART NUMBER	DESCRIPTION
C100	2113740B76	CAP CHIP REEL CL1 +/-30 1500
C101	2113740B19	CAP CHIP REEL CL1 +/-30 5.6
C102	2113740B76	CAP CHIP REEL CL1 +/-30 1500
C103	2113740B48	CAP CHIP REEL CL1 +/-30 91
C126	2113740B09	CAP CHIP REEL CL1 +/-30 2.2
C127 thru C129	2113741N45	CAP CHIP CL2 X7R 10% 10000
C130	2113740B34	CAP CHIP REEL CL1 +/-30 24
C131	2113740B76	CAP CHIP REEL CL1 +/-30 1500
C132	2113740B34	CAP CHIP REEL CL1 +/-30 24
C132	2113740B76	CAP CHIP REEL CL1 +/-30 1500
C133 & C134	2113740B13	CAP CHIP REEL CL1 +/-30 3.3
C135	2113740B13	CAP CHIP REEL CL1 +/-30 3.3
C136	2113740B46	CAP CHIP REEL CL1 +/-30 75
C137	2113741N45	CAP CHIP CL2 X7R 10% 10000
C138	2113740B09	CAP CHIP REEL CL1 +/-30 2.2
CR100	4882958R78	DIODE 48R82958R01 A/P 5.6V
E125	2680015P02	SHLD RXFE UHF TIN PLATED

ITEM	MOTOROLA PART NUMBER	DESCRIPTION
E126	2680002M02	SHLD INJ FLTR TIN PLATED
HY126	9180209N02	FLTR BANDPASS CERAMIC 455 MHZ
L125	2480140E10	INDUCTOR CHIP 100NH
L126 & L127	2480140E01	INDUCTOR CHIP 1.2 UH
L128	2480091G21	COIL AIRWOUND
L129	2480091G33	COIL AIRWOUND
MP126	0780091P01	BRACKET RX FE UHF
MP127	0780214N01	FRAME PRESELECTOR LEAD
MP128	4280191N01	CLIP RECEIVER GROUNDING
MP129	4280013P01	RETAINER WIRE
MP130	4380025P01	SPACER WIRE
Q100 & Q125	4802000P02	NEC SILICON TR 2SC3357 RE
Q126	4880141L01	TSTR PNP SOT23 LO PROFILE TAPE
R100 & R101	0611077A26	RES CHIP 10 5 1/8W
R102	0611077A70	RES CHIP 680 5 1/8W
R103	0611077A62	RES CHIP 330 5 1/8W
R104	0611077A43	RES CHIP 51 5 1/8W
R126	0611077A74	RES CHIP 1000 5 1/8
R127	0611077A36	RES CHIP 27 5 1/8W
R128	0611077A52	RES CHIP 120 5 1/8W
R129	0611077A80	RES CHIP 1800 5 1/8
R130	0611077A94	RES CHIP 6800 5 1/8
R131	0611077A50	RES CHIP 100 5 1/8W
R132	0611077A43	RES CHIP 51 5 1/8W
W128	3080152M07	CBL COAX ASSEMBLY
	0980212N02	RECP COAX PCB MOUNT
	3080037R05	CABLE ASSEMBLY
	0180757T43	SHLD W/CONTACT
	8480241N02	HYBRID CKT BD UHF F/E

HRE6014B UHF RXFE Pre-Amp Parts List

ITEM	MOTOROLA PART NUMBER	DESCRIPTION
C100	2113740B76	CAP CHIP REEL CL1 +/-30 1500
C101	2113740B19	CAP CHIP REEL CL1 +/-30 5.6
C102	2113740B76	CAP CHIP REEL CL1 +/-30 1500
C103	2113740B48	CAP CHIP REEL CL1 +/-30 91
C126	2113740B09	CAP CHIP REEL CL1 +/-30 2.2
C127 thru C129	2113741N45	CAP CHIP CL2 X7R 10% 10000

ITEM	MOTOROLA PART NUMBER	DESCRIPTION
C130	2113740B34	CAP CHIP REEL CL1 +/-30 24
C131	2113740B76	CAP CHIP REEL CL1 +/-30 1500
C132	2113740B34	CAP CHIP REEL CL1 +/-30 24
C133 thru C135	2113740B13	CAP CHIP REEL CL1 +/-30 3.3
C136	2113740B46	CAP CHIP REEL CL1 +/-30 75
C137	2113741N45	CAP CHIP CL2 X7R 10% 10000
C138	2113740B09	CAP CHIP REEL CL1 +/-30 2.2
CR100	4882958R78	DIODE 48R82958R01 A/P 5.6V
E125	2680015P02	SHLD RXFE UHF TIN PLATED
E126	2680002M02	SHLD INJ FLTR TIN PLATED
HY126	9180209N04	FLTR BANDPASS CERAMIC 497 MHZ
L125	2480140E10	INDUCTOR CHIP 100NH
L126 & L127	2480140E01	INDUCTOR CHIP 1.2 UH
L128	2480091G21	COIL AIRWOUND
L129	2480091G33	COIL AIRWOUND
MP126	0780091P01	BRACKET RX FE UHF
MP127	0780214N01	FRAME PRESELECTOR LEAD
MP128	4280191N01	CLIP RECEIVER GROUNDING
MP129	4280013P01	RETAINER WIRE
MP130	4380025P01	SPACER WIRE
Q100 & Q125	4802000P02	NEC SILICON TR 2SC3357 RE
Q126	4880141L01	TSTR PNP SOT23 LO PROFILE TAPE
R100	0611077A26	RES CHIP 10 5 1/8W
R101	0611077A26	RES CHIP 10 5 1/8W
R102	0611077A70	RES CHIP 680 5 1/8W
R103	0611077A62	RES CHIP 330 5 1/8W
R104	0611077A43	RES CHIP 51 5 1/8W
R126	0611077A74	RES CHIP 1000 5 1/8
R127	0611077A36	RES CHIP 27 5 1/8W
R128	0611077A52	RES CHIP 120 5 1/8W
R129	0611077A80	RES CHIP 1800 5 1/8
R130	0611077A94	RES CHIP 6800 5 1/8
R131	0611077A50	RES CHIP 100 5 1/8W
R132	0611077A43	RES CHIP 51 5 1/8W
W128	3080152M07	CBL COAX ASSEMBLY
W642	3080037R05	CABLE ASSEMBLY
	0980212N02	RECP COAX PCB MOUNT
	8480241N02	HYBRID CKT BD UHF F/E

HRE6001B/C and HRE6002C UHF RXFE Standard Parts List

ITEM	MOTOROLA PART NUMBER	DESCRIPTION
C125	2113740B76	CAP CHIP REEL CL1 +/-30 1500
C126	2113740B09 2113740B11	CAP CHIP REEL CL1 +/-30 2.7 ² CAP CHIP REEL CL1 +/-30 2.7 ¹
C127	2113741N45	CAP CHIP CL2 X7R 10% 10000 ¹
C128 & C129	2113741N45	CAP CHIP CL2 X7R 10% 10000
C130	2113740B34	CAP CHIP REEL CL1 +/-30 24
C131	2113740B76	CAP CHIP REEL CL1 +/-30 1500
C132	2113740B34	CAP CHIP REEL CL1 +/-30 24
C133 thru C135	2113740B13 2113740B17	CAP CHIP REEL CL1 +/-30 3.3 ² CAP CHIP REEL CL1 +/-30 4.7 ¹
C136	2113740B46	CAP CHIP REEL CL1 +/-30 75
C137	2113741N45	CAP CHIP CL2 X7R 10% 10000
C138	2113740B09 2113740B17	CAP CHIP REEL CL1 +/-30 2.2 ² CAP CHIP REEL CL1 +/-30 4.7 ¹
E125	2680015P02	SHLD RXFE UHF TIN PLATED
E126	2680002M02	SHLD INJ FLTR TIN PLATED
HY126	9180209N02	FLTR BANDPASS CERAMIC 455 MHZ ²
HY5126	9180209N01	FLTR BANDPASS CERAMIC 417 MHZ ¹
JU125	0611077A01	RES CHIP JUMPER ¹
JU5125	-----	PART NOT USED ¹
L125	2480140E10	INDUCTOR CHIP 100NH
L126 & L127	2480140E01	INDUCTOR CHIP 1.2 UH
L128	2480091G21	COIL AIRWOUND
L129	2480091G33	COIL AIRWOUND
MP127	0780214N01	FRAME PRESELECTOR LEAD
MP128	4280191N01	CLIP RECEIVER GROUNDING
MP129	4280013P01	RETAINER WIRE
MP130	4380025P01	SPACER WIRE
MP156	0780091P01	BRACKET RX FE UHF
Q125	4802000P02	NEC SILICON TR 2SC3357 RE
Q126	4880141L01	TSTR PNP SOT23 LO PROFILE TAPE

ITEM	MOTOROLA PART NUMBER	DESCRIPTION
R126	0611077A74	RES CHIP 1000 5 1/8
R127	0611077A36	RES CHIP 27 5 1/8W ¹
R128	0611077A52	RES CHIP 120 5 1/8W
R129	0611077A80	RES CHIP 1800 5 1/8
R130	0611077A90 0611077A94	RES CHIP 4700 5 1/8 ¹ RES CHIP 6800 5 1/8 ²
R131	0611077A46 0611077A50	RES CHIP 68 5 1/8W ¹ RES CHIP 100 5 1/8W ²
R132	0611077A43	RES CHIP 51 5 1/8W
W128	3080152M07 3080152M23	CBL COAX ASSEMBLY ³ CBL COAX ASSEMBLY ⁴
W642	3080037R05	CABLE ASSEMBLY
	8480241N02	HYBRID CKT BD UHF F/E

Notes:

1. Valid in HRE6001B only.
2. Valid in HRE6002C only.
3. Valid in HRE6001B & HRE6002C only
4. Valid in HRE6001C only

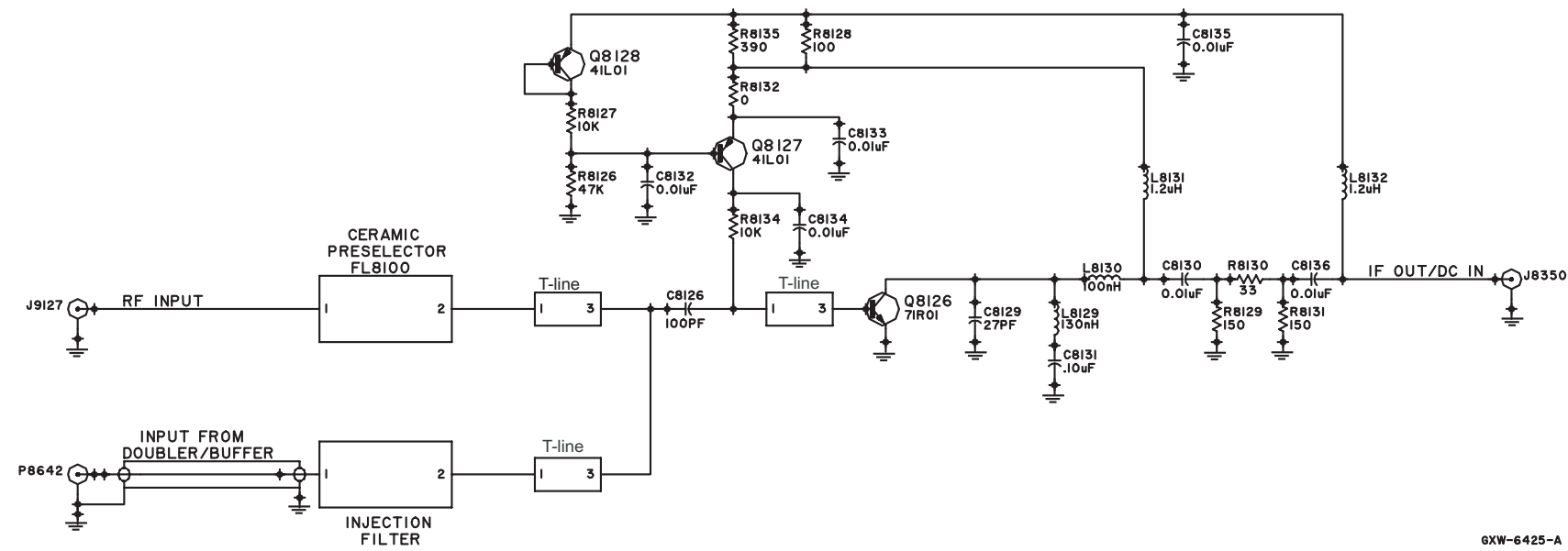
HRE6003B/C and HRE6004B/C UHF RXFE Standard Parts List

ITEM	MOTOROLA PART NUMBER	DESCRIPTION
C100, C101 & C103	-----	NOTPLACED
C125	2113740B76	CAP CHIP REEL CL1 +/-30 1500
C126	2113740B09	CAP CHIP REEL CL1 +/-30 2.2
C127 thru C129	2113741N45	CAP CHIP CL2 X7R 10% 10000
C130	2113740B34	CAP CHIP REEL CL1 +/-30 24
C131	2113740B76	CAP CHIP REEL CL1 +/-30 1500
C132	2113740B34	CAP CHIP REEL CL1 +/-30 24
C133 thru C135	2113740B13	CAP CHIP REEL CL1 +/-30 3.3
C136	2113740B46	CAP CHIP REEL CL1 +/-30 75
C137	2113741N45	CAP CHIP CL2 X7R 10% 10000
C138	2113740B09	CAP CHIP REEL CL1 +/-30 2.2
CR100	-----	NOTPLACED
E125	2680015P02	SHLD RXFE UHF TIN PLATED
E126	2680002M02	SHLD INJ FLTR TIN PLATED
HY126	9180209N03 9180209N04	FLTR BANDPASS CERAMIC 465 MHZ ¹ FLTR BANDPASS CERAMIC 497 MHZ ²

ITEM	MOTOROLA PART NUMBER	DESCRIPTION
L125	2480140E10	INDUCTOR CHIP 100NH
L126	2480140E01	INDUCTOR CHIP 1.2 UH
L127	2480140E01	INDUCTOR CHIP 1.2 UH
L128	2480091G21	COIL AIRWOUND
L129	2480091G33	COIL AIRWOUND
MP126	0780091P01	BRACKET RX FE UHF
MP127	0780214N01	FRAME PRESELECTOR LEAD
MP128	4280191N01	CLIP RECEIVER GROUNDING
MP129	4280013P01	RETAINER WIRE
MP130	4380025P01	SPACER WIRE
Q100	-----	NOTPLACED
Q125	4802000P02	NEC SILICON TR 2SC3357 RE
Q126	4880141L01	TSTR PNP SOT23 LO PROFILE TAPE
R100 thru R104	-----	NOTPLACED
R126	0611077A74	RES CHIP 1000 5 1/8
R127	0611077A36	RES CHIP 27 5 1/8W
R128	0611077A52	RES CHIP 120 5 1/8W
R129	0611077A80	RES CHIP 1800 5 1/8
R130	0611077A94	RES CHIP 6800 5 1/8
R131	0611077A50	RES CHIP 100 5 1/8W
R132	0611077A26 0611077A43	RES CHIP 10 5 1/8W ² RES CHIP 51 5 1/8W ¹
W128	3080152M07 3080152M23	CBL COAX ASSEMBLY ³ CBL COAX ASSEMBLY ⁴
W642	3080037R05	CABLE ASSEMBLY
	0980212N02	RECP COAX PCB MOUNT
	0980110M01	RECP COAX PCB MOUNT
	8480241N02	HYBRID CKT BD UHF F/E

Notes:

1. Valid in HRE6003B only.
2. Valid in HRE6004B only.
3. Valid in HRE6003B & HRE6004B only
4. Valid in HRE6003C & HRE6004C only



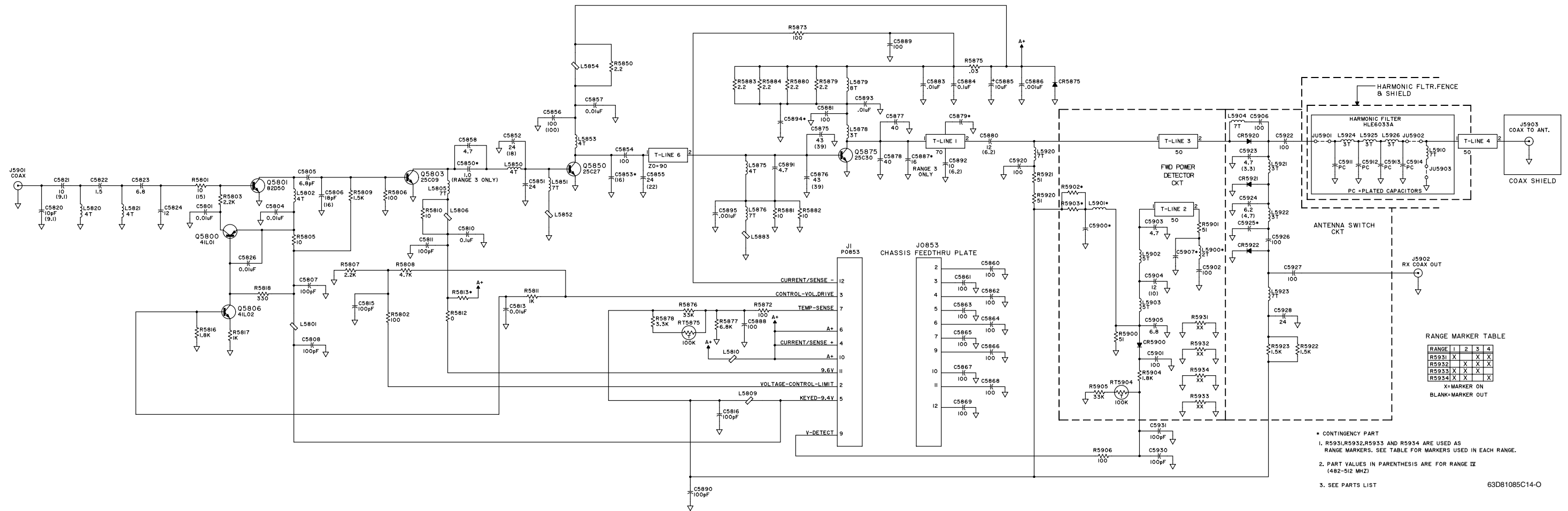
HRF6004B/C 800 MHz Receiver Front-End Schematic Diagram

HLE6062B VHF R2 25-Watt PA Parts List

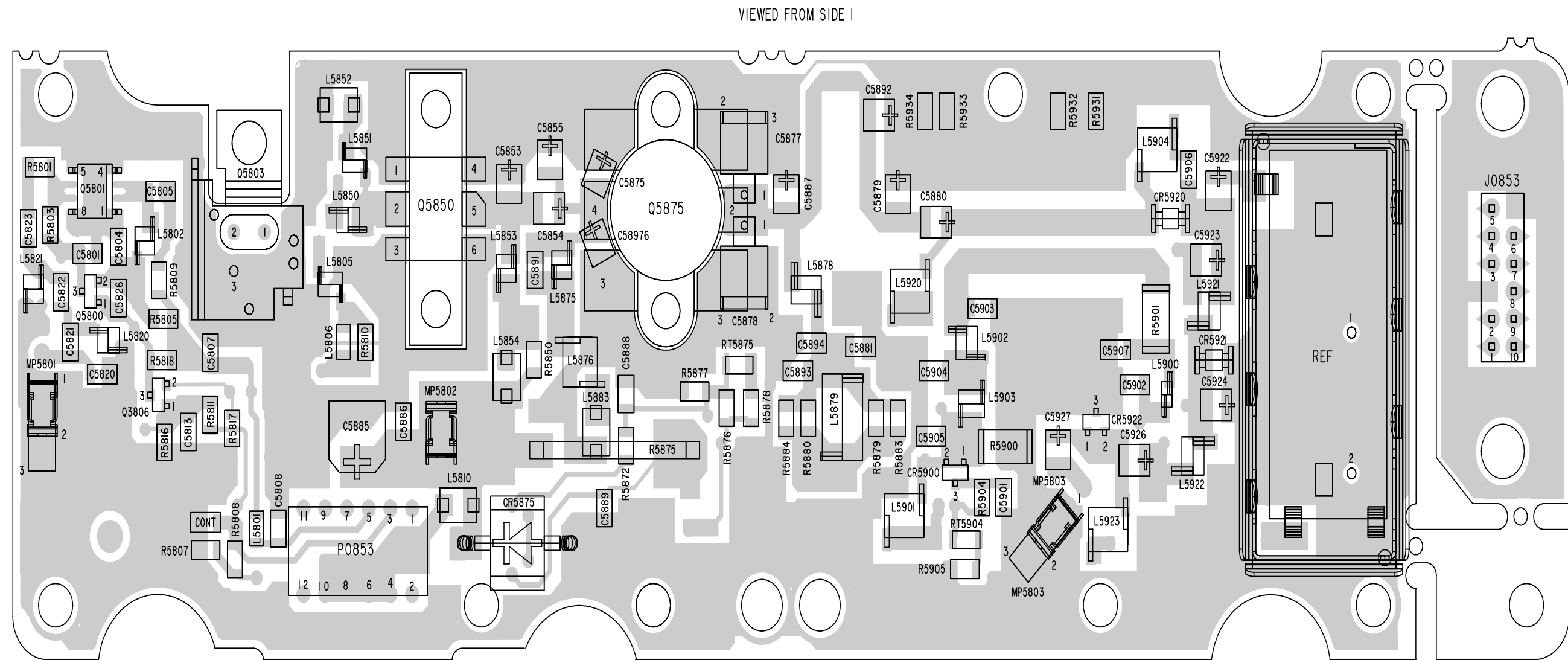
ITEM	MOTOROLA PART NUMBER	DESCRIPTION
C5801 & C5804	2113741N45	CAP CHIP CL2 X7R 10% 10000
C5805	2113740B21	CAP CHIP REEL CL1 +/-30 6.8
C5806	2113740B34	CAP CHIP REEL CL1 +/-30 24
C5807 & C5808	2113740B49	CAP CHIP REEL CL1 +/-30 100
C5810	2113741N69	CAP CHIP CL2 X7R 10% 100000
C5811 & C5812	2113740B49	CAP CHIP REEL CL1 +/-30 100
C5813	2113741N69	CAP CHIP CL2 X7R 10% 100000
C5814 thru C5816	2113740B49	CAP CHIP REEL CL1 +/-30 100
C5820	2113740B24	CAP CHIP REEL CL1 +/-30 9.1
C5821	2113740B25	CAP CHIP REEL CL1 +/-30 10
C5822	2113740B05	CAP CHIP REEL CL1 +/-30 1.5
C5823	2113740B21	CAP CHIP REEL CL1 +/-30 6.8
C5824	2113740B30	CAP CHIP REEL CL1 +/-30 16
C5825	2113741N45	CAP CHIP CL2 X7R 10% 10000
C5850	2113740B25	CAP CHIP REEL CL1 +/-30 10
C5851	2113740B36	CAP CHIP REEL CL1 +/-30 30
C5852	2113740B35	CAP CHIP REEL CL1 +/-30 27
C5854	2111078B05	CAP CHIP RF 4.7 .25 NPO 100V
C5855	2111078B42	CAP CHIP RF 100 5 NPO 100V
C5858	2113740B49	CAP CHIP REEL CL1 +/-30 100
C5860	2113741N21	CAP CHIP CL2 X7R 10% 1000
C5875 & C5876	2111078B29	CAP CHIP RF 33 5 NPO 100V
C5877 & C5878	2111078B21	CAP CHIP RF 20 5 NPO 100V
C5879	2111078B08	CAP CHIP RF 6.2 .25 NPO 100V
C5880	2111078B42	CAP CHIP RF 100 5 NPO 100V
C5881	2113740B49	CAP CHIP REEL CL1 +/-30 100
C5882	2380090M24	CAP ALU 10 20 50V SURF MT
C5883	2113741N45	CAP CHIP CL2 X7R 10% 10000
C5884	2113741N69	CAP CHIP CL2 X7R 10% 100000
C5885	-----	NOTPLACED
C5886	2113741N21	CAP CHIP CL2 X7R 10% 1000
C5887	2111078B15	CAP CHIP RF 12 5 NPO 100V
C5888	2113740B49	CAP CHIP REEL CL1 +/-30 100
C5889	-----	NOTPLACED
C5890	2113740B49	CAP CHIP REEL CL1 +/-30 100
C5892 & C5893	-----	NOTPLACED
C5900	2113740B39	CAP CHIP REEL CL1 +/-30 39
C5901	2113740B49	CAP CHIP REEL CL1 +/-30 100
C5903 & C5904	2113740B17	CAP CHIP REEL CL1 +/-30 4.7
C5906 & C5920	2113740B49	CAP CHIP REEL CL1 +/-30 100
C5922	2111078B42	CAP CHIP RF 100 5 NPO 100V

ITEM	MOTOROLA PART NUMBER	DESCRIPTION
C5923	2111078B01	CAP CHIP RF 3.3 .25 NPO 100V
C5924	2113740B13	CAP CHIP REEL CL1 +/-30 3.3
C5926 thru C5928 & C5930	2113740B49	CAP CHIP REEL CL1 +/-30 100
CR5875	4880236E07	DIODE TRANSIENT SUP
CR5900	4813825A05	DIODE 30V HOT CARRIER MMBD301L
CR5920 & CR5921	4880236E24	DIODE PIN
CR5922	4805119G18	DIODE SMBD1023 STEP RECOVERY
E5803	2680187N02	HEATSINK, TO39
E5920	2680084N02	SHLD HAR FLTR TIN PLATED
J5852 & J5853	2980014A03	CLIP COAX TERMINAL
L5801	2480067M01	CHK RF CHIP BEAD INDUCTOR 28MZ
L5802	2480091G21	COIL AIRWOUND
L5804	2480067M01	CHK RF CHIP BEAD INDUCTOR 28MZ
L5805	2480091G23	COIL AIRWOUND
L5806	2480067M01	CHK RF CHIP BEAD INDUCTOR 28MZ
L5808 & L5809	2480067M01	CHK RF CHIP BEAD INDUCTOR 28MZ
L5820 & L5821	2480091G21	COIL AIRWOUND
L5850	2480091G20	COIL AIRWOUND
L5851	2480091G21	COIL AIRWOUND
L5852	2484657R01	INDUCTOR BEAD CHIP
L5853	2480091G21	COIL AIRWOUND
L5854	2484657R01	INDUCTOR BEAD CHIP
L5875	2480091G21	COIL AIRWOUND
L5876	2484657R01	INDUCTOR BEAD CHIP
L5878	2480090G03	COIL AIRWOUND
L5879	2484657R01	INDUCTOR BEAD CHIP
L5882	2480067M01	CHK RF CHIP BEAD INDUCTOR 28MZ
L5901	-----	NOTPLACED
L5902 & L5903	2480091G01	COIL AIRWOUND
L5904	2480140E06	INDUCTOR CHIP 130 NH
L5910	2480091G36	COIL AIRWOUND
L5920	2480140E06	INDUCTOR CHIP 130 NH
L5921	2480090G03	COIL AIRWOUND
L5922	2480091G21	COIL AIRWOUND
L5923	2480091G36	COIL AIRWOUND
L5930	2480067M01	CHK RF CHIP BEAD INDUCTOR 28MZ
P0853	6480262N01	PLATE LP FEEDTHRU ASSEMBLY

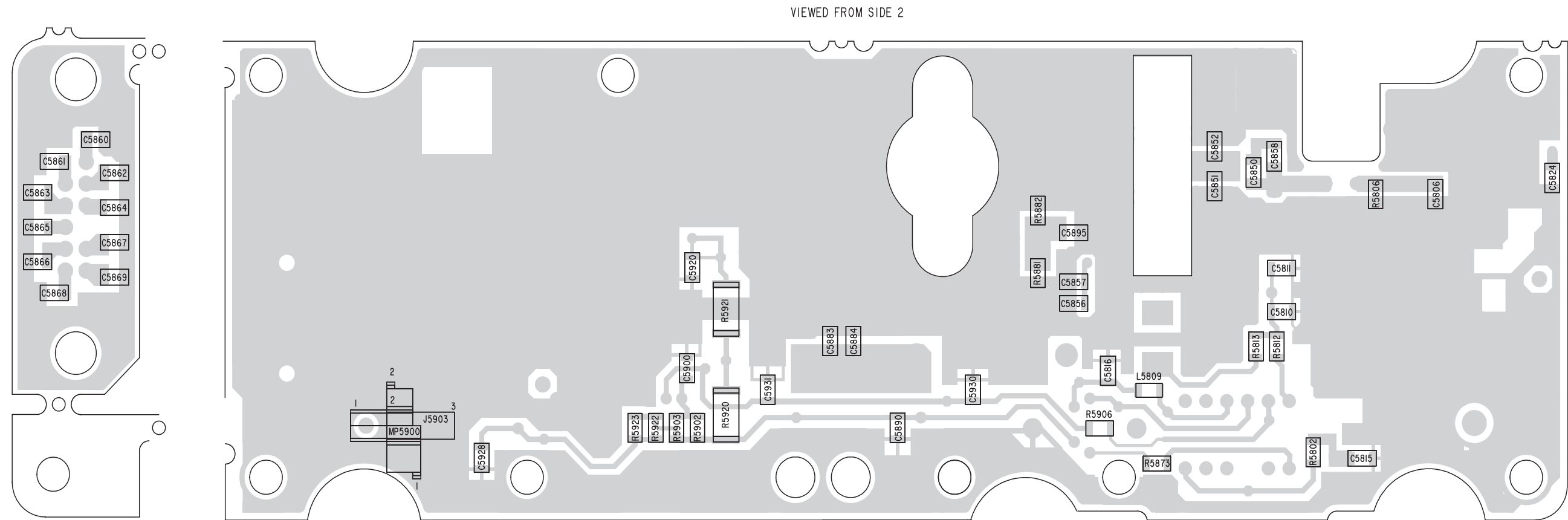
ITEM	MOTOROLA PART NUMBER	DESCRIPTION
Q5800	4880141L01	TSTR PNP SOT23 LO PROFILE TAPE
Q5801	4880182D50	TSTR SI SORF 4V 750MW 960MHZ
Q5803	4880225C09	TSTR M25C09
Q5806	4880141L02	TSTR NPN SOT23 LO PROFILE TAPE
Q5850	4880225C27	TSTR RF MRF654F IN CS12 PKG
R5801	0611077A26	RES CHIP 10 5 1/8W
R5803	0611077A82	RES CHIP 2200 5 1/8
R5805	0611077A26	RES CHIP 10 5 1/8W
R5806	0611077A43	RES CHIP 51 5 1/8W
R5807	0611077A82	RES CHIP 2200 5 1/8
R5808	0611077A86	RES CHIP 3300 5 1/8
R5809	0611077A74	RES CHIP 1000 5 1/8
R5810	0611077A26	RES CHIP 10 5 1/8W
R5811	0611077A74	RES CHIP 1000 5 1/8
R5812	-----	NOTPLACED
R5813	0611077A01	RES CHIP JUMPER
R5816	0611077A80	RES CHIP 1800 5 1/8
R5817	0611077A74	RES CHIP 1000 5 1/8
R5818	0611077A62	RES CHIP 330 5 1/8W
R5850	0611077A10	RES CHIP 2.2 5 1/8W
R5851	0611077A26	RES CHIP 10 5 1/8W
R5875	1780228N01	RESISTOR SHUNT
R5876	0611077B11	RES CHIP 33K 5 1/8W
R5877	0611077A94	RES CHIP 6800 5 1/8
R5880	0611077A32	RES CHIP 18 5 1/8W
R5881	0611077A01	RES CHIP JUMPER
R5882	0680195M01	RES CHIP 10 OHMS 5% .5W
R5883	0611077A32	RES CHIP 18 5 1/8W
R5900 & R5901	0680195M25	RES CHIP 100 OHMS 5% .5W
R5904	0611077A82	RES CHIP 2200 5 1/8
R5905	0611077B11	RES CHIP 33K 5 1/8W
R5920 & R5921	0680194M18	RES 51 OHMS 5% 1W
R5922 & R5923	0611077A72	RES CHIP 820 5 1/8W
R5930	0611077A01	RES CHIP JUMPER
R5931	-----	NOTPLACED
RT5875	0680149M02	THERMISTOR CHIP 100K OHM
RT5876	-----	NOTPLACED
RT5901	0680149M02	THERMISTOR CHIP 100K OHM
	8480233N32	BD CKT 25W PA UHF PNL
	2280128P01	PIN POLARIZING
	8480233N02	BD CKT 25W PA UHF



HLE6043C/D, HLE6044C/D, and HLE6049B/C UHF 40-Watt PA Schematic



HLE6043C/D, HLE6044C/D, and HLE6049B/C UHF 40-Watt PA Component Location Diagram, Side 1



HLE6043C/D, HLE6044C/D, and HLE6049B/C UHF 40-Watt PA Component Location Diagram, Side 2

HLE6043C/D UHF R3 40-Watt Parts List

ITEM	MOTOROLA PART NUMBER	DESCRIPTION
C5801 & C5804	2113741N45	CAP CHIP CL2 X7R 10% 10000
C5805	2113740B21	CAP CHIP REEL CL1 +/-30 6.8
C5806	2113740B31	CAP CHIP REEL CL1 +/-30 18
C5807 & C5808	2113740B49	CAP CHIP REEL CL1 +/-30 100
C5810	2113741N69	CAP CHIP CL2 X7R 10% 100000
C5811	2113740B49	CAP CHIP REEL CL1 +/-30 100
C5813	2113741N45	CAP CHIP CL2 X7R 10% 10000
C5815	2113740B49	CAP CHIP REEL CL1 +/-30 100
C5816	2113743G24	CAP CHIP 2.2 UF 16V +80-20%
C5820 & C5821	2113740B25	CAP CHIP REEL CL1 +/-30 10
C5822	2113740B05	CAP CHIP REEL CL1 +/-30 1.5
C5823	2113740B21	CAP CHIP REEL CL1 +/-30 6.8
C5824	2113740B27	CAP CHIP REEL CL1 +/-30 12
C5826	2113741N45	CAP CHIP CL2 X7R 10% 10000
C5850	2113740B01	CAP CHIP REEL CL1 +/-30 1.0
C5851 & C5852	2113740B34	CAP CHIP REEL CL1 +/-30 24
C5853	-----	NOTPLACED
C5854	2111078B42	CAP CHIP RF 100 5 NPO 100V
C5855	2111078B23	CAP CHIP RF 24 5 NPO 100V
C5856	2113740B49	CAP CHIP REEL CL1 +/-30 100
C5857	2113741N45	CAP CHIP CL2 X7R 10% 10000
C5858	2113740B17	CAP CHIP REEL CL1 +/-30 4.7
C5860 thru C5862	2113740B49	CAP CHIP REEL CL1 +/-30 100
C5863	2113743G24	CAP CHIP 2.2 UF 16V +80-20%
C5864 thru C5869	2113740B49	CAP CHIP REEL CL1 +/-30 100
C5875 & C5876	2111078B32	CAP CHIP RF 39 5 NPO 100V
C5877 & C5878	2184366F08	CAP MICA 40 5 250V
C5879	-----	NOTPLACED
C5880	2111078B15	CAP CHIP RF 12 5 NPO 100V
C5881	2113740B49	CAP CHIP REEL CL1 +/-30 100
C5883	2113741N45	CAP CHIP CL2 X7R 10% 10000
C5884	2113741N69	CAP CHIP CL2 X7R 10% 100000
C5885	2380090M24	CAP ALU 10 20 50V SURF MT
C5886	2113741N21	CAP CHIP CL2 X7R 10% 1000
C5887	2111078B19	CAP CHIP RF 16 5 NPO 100V
C5888 thru C5890	2113740B49	CAP CHIP REEL CL1 +/-30 100
C5891	2113740B17	CAP CHIP REEL CL1 +/-30 4.7
C5892	2111078B13	CAP CHIP RF 10 .5 NPO 100V
C5893	2113741N45	CAP CHIP CL2 X7R 10% 10000

ITEM	MOTOROLA PART NUMBER	DESCRIPTION
C5894	-----	NOTPLACED
C5895	2113741N21	CAP CHIP CL2 X7R 10% 1000
C5900	-----	NOTPLACED
C5901 & C5902	2113740B49	CAP CHIP REEL CL1 +/-30 100
C5903	2113740B17	CAP CHIP REEL CL1 +/-30 4.7
C5904	2113740B27	CAP CHIP REEL CL1 +/-30 12
C5905	2113740B21	CAP CHIP REEL CL1 +/-30 6.8
C5906	2113740B49	CAP CHIP REEL CL1 +/-30 100
C5907	-----	NOTPLACED
C5920	2113743G24	CAP CHIP 2.2 UF 16V +80-20%
C5922	2111078B42	CAP CHIP RF 100 5 NPO 100V
C5923	2111078B05	CAP CHIP RF 4.7 .25 NPO 100V
C5924	2111078B08	CAP CHIP RF 6.2 .25 NPO 100V
C5926 & C5927	2111078B42	CAP CHIP RF 100 5 NPO 100V
C5928	2113740B34	CAP CHIP REEL CL1 +/-30 24
C5930 & C5931	2113740B49	CAP CHIP REEL CL1 +/-30 100
CR5875	4880236E07	DIODE TRANSIENT SUP
CR5900	4880236E05	DIODE HOT CAR SOT 23
CR5920 & CR5921	4880236E24	DIODE PIN
CR5922	4805119G18	DIODE SMBD1023 STEP RECOVERY
J0853	2880102M06	PLUG VERTICAL 12 POSITION
L5801	2480067M01	CHK RF CHIP BEAD INDUCTOR 28MZ
L5802	2480091G21	COIL AIRWOUND
L5805	2480091G23	COIL AIRWOUND
L5806	2480067M01	CHK RF CHIP BEAD INDUCTOR 28MZ
L5809	2480067M01	CHK RF CHIP BEAD INDUCTOR 28MZ
L5810	2484657R01	INDUCTOR BEAD CHIP
L5820 & L5821	2480091G21	COIL AIRWOUND
L5850	2480091G21	COIL AIRWOUND
L5851	2480091G23	COIL AIRWOUND
L5852	2484657R01	INDUCTOR BEAD CHIP
L5853	2480091G21	COIL AIRWOUND
L5854	2484657R01	INDUCTOR BEAD CHIP
L5875	2480091G21	COIL AIRWOUND
L5876	2480091G36	COIL AIRWOUND
L5878	2480090G03	COIL AIRWOUND
L5879	2480090G05	COIL AIRWOUND
L5883	2484657R01	INDUCTOR BEAD CHIP
L5900	2480091G06	COIL AIRWOUND
L5901	-----	NOTPLACED
L5902 & L5903	2480091G24	COIL AIRWOUND

ITEM	MOTOROLA PART NUMBER	DESCRIPTION
L5904 & L5920	2480091G36	COIL AIRWOUND
L5921 & L5922	2480090G03	COIL AIRWOUND
L5923	2480091G36	COIL AIRWOUND
P0853	0980103M04	RECEPTICAL RIGHT ANGLE 12 POS
Q5800	4880141L01	TSTR PNP SOT23 LO PROFILE TAPE
Q5801	4880182D50	TSTR SI SORF 4V 750MW 960MHZ
Q5803	4880225C09	TSTR M25C09
Q5803	2680187N02	HEATSINK, TO39
Q5806	4880141L02	TSTR NPN SOT23 LO PROFILE TAPE
Q5850	4880225C27	TSTR RF MRF654F IN CS12 PKG
Q5875	4880225C30	TSTR RF 14W/50W UHF .5 CQ
R5801	0611077A26	RES CHIP 10 5 1/8W
R5802	0611077A50	RES CHIP 100 5 1/8W
R5803	0611077A82	RES CHIP 2200 5 1/8
R5805	0611077A26	RES CHIP 10 5 1/8W
R5806	0611077A50	RES CHIP 100 5 1/8W
R5807	0611077A82	RES CHIP 2200 5 1/8
R5808	0611077A90	RES CHIP 4700 5 1/8
R5809	0611077A78	RES CHIP 1500 5 1/8
R5810	0611077A26	RES CHIP 10 5 1/8W
R5811	0611077A74	RES CHIP 1000 5 1/8
R5812	0611077A01	RES CHIP JUMPER
R5813	-----	NOTPLACED
R5816	0611077A80	RES CHIP 1800 5 1/8
R5817	0611077A74	RES CHIP 1000 5 1/8
R5818	0611077A62	RES CHIP 330 5 1/8W
R5850	0611077A10	RES CHIP 2.2 5 1/8W
R5872	0611077A50	RES CHIP 100 5 1/8W
R5873	0611077A50	RES CHIP 100 5 1/8W
R5875	1780228N01	RESISTOR SHUNT
R5876	0611077B11	RES CHIP 33K 5 1/8W
R5877	0611077A94	RES CHIP 6800 5 1/8
R5878	0611077A86	RES CHIP 3300 5 1/8
R5879 & R5880	0611077A10	RES CHIP 2.2 5 1/8W
R5881 & R5882	0611077A19	RES CHIP 5.1 5 1/8W
R5883 & R5884	0611077A10	RES CHIP 2.2 5 1/8W
R5900 & R5901	0680194M18	RES 51 OHMS 5% 1W
R5902 & R5903	-----	NOTPLACED
R5904	0611077A80	RES CHIP 1800 5 1/8
R5905	0611077B11	RES CHIP 33K 5 1/8W
R5906	0611077A50	RES CHIP 100 5 1/8W

ITEM	MOTOROLA PART NUMBER	DESCRIPTION
R5920 & R5921	0680194M18	RES 51 OHMS 5% 1W
R5922 & R5923	0611077A78	RES CHIP 1500 5 1/8
R5931 thru R5933	0611077A01	RES CHIP JUMPER
R5934	-----	NOTPLACED
RT5875 & RT5904	0680149M02	THERMISTOR CHIP 100K OHM
	8480198N34	BD CKT 40W UHF PA PNL

HLE6044C/D UHF R4 40-Watt PA Parts List

ITEM	MOTOROLA PART NUMBER	DESCRIPTION
C5801 & C5804	2113741N45	CAP CHIP CL2 X7R 10% 10000
C5805	2113740B21	CAP CHIP REEL CL1 +/-30 6.8
C5806	2113740B31	CAP CHIP REEL CL1 +/-30 18
C5807 & C5808	2113740B49	CAP CHIP REEL CL1 +/-30 100
C5810	2113741N69	CAP CHIP CL2 X7R 10% 100000
C5811	2113740B49	CAP CHIP REEL CL1 +/-30 100
C5813	2113741N45	CAP CHIP CL2 X7R 10% 10000
C5815 & C5816	2113740B49	CAP CHIP REEL CL1 +/-30 100
C5820 & C5821	2113740B24	CAP CHIP REEL CL1 +/-30 9.1
C5822	2113740B05	CAP CHIP REEL CL1 +/-30 1.5
C5823	2113740B21	CAP CHIP REEL CL1 +/-30 6.8
C5824	2113740B27	CAP CHIP REEL CL1 +/-30 12
C5826	2113741N45	CAP CHIP CL2 X7R 10% 10000
C5850	-----	NOTPLACED
C5851 & C5852	2113740B34	CAP CHIP REEL CL1 +/-30 24
C5853	2111078B19	CAP CHIP RF 16 5 NPO 100V
C5854	2111078B42	CAP CHIP RF 100 5 NPO 100V
C5855	2111078B22	CAP CHIP RF 22 5 NPO 100V
C5856	2113740B49	CAP CHIP REEL CL1 +/-30 100
C5857	2113741N45	CAP CHIP CL2 X7R 10% 10000
C5858	2113740B17	CAP CHIP REEL CL1 +/-30 4.7
C5860 thru C5869	2113740B49	CAP CHIP REEL CL1 +/-30 100
C5875 & C5876	2111078B32	CAP CHIP RF 39 5 NPO 100V
C5877 & C5878	2184366F08	CAP MICA 40 5 250V
C5879	-----	NOTPLACED
C5880	2111078B08	CAP CHIP RF 6.2 .25 NPO 100V

ITEM	MOTOROLA PART NUMBER	DESCRIPTION
C5881	2113740B49	CAP CHIP REEL CL1 +/-30 100
C5883	2113741N45	CAP CHIP CL2 X7R 10% 10000
C5884	2113741N69	CAP CHIP CL2 X7R 10% 100000
C5885	2380090M24	CAP ALU 10 20 50V SURF MT
C5886	2113741N21	CAP CHIP CL2 X7R 10% 1000
C5887	-----	NOTPLACED
C5888 & C5889	2113740B49	CAP CHIP REEL CL1 +/-30 100
C5890	2113740B49	CAP CHIP REEL CL1 +/-30 100
C5891	2113740B17	CAP CHIP REEL CL1 +/-30 4.7
C5892	2111078B08	CAP CHIP RF 6.2 .25 NPO 100V
C5893	2113741N45	CAP CHIP CL2 X7R 10% 10000
C5894	-----	NOTPLACED
C5895	2113741N21	CAP CHIP CL2 X7R 10% 1000
C5900	-----	NOTPLACED
C5901 & C5902	2113740B49	CAP CHIP REEL CL1 +/-30 100
C5903	2113740B17	CAP CHIP REEL CL1 +/-30 4.7
C5904	2113740B25	CAP CHIP REEL CL1 +/-30 10
C5905	2113740B21	CAP CHIP REEL CL1 +/-30 6.8
C5906	2113740B49	CAP CHIP REEL CL1 +/-30 100
C5907	-----	NOTPLACED
C5920	2113743G24	CAP CHIP 2.2 UF 16V +80-20%
C5922	2111078B42	CAP CHIP RF 100 5 NPO 100V
C5923	2111078B01	CAP CHIP RF 3.3 .25 NPO 100V
C5924	2111078B05	CAP CHIP RF 4.7 .25 NPO 100V
C5926 & C5927	2111078B42	CAP CHIP RF 100 5 NPO 100V
C5928	2113740B34	CAP CHIP REEL CL1 +/-30 24
C5930 & C5931	2113740B49	CAP CHIP REEL CL1 +/-30 100
CR5875	4880236E07	DIODE TRANSIENT SUP
CR5900	4813825A05	DIODE 30V HOT CARRIER MMBD301L
CR5920 & CR5921	4880236E24	DIODE PIN
CR5922	4805119G18	DIODE SMBD1023 STEP RECOVERY
J0853	2880102M06	PLUG VERTICAL 12 POSITION
L5801	2480067M01	CHK RF CHIP BEAD INDUCTOR 28MZ
L5802	2480091G21	COIL AIRWOUND
L5805	2480091G23	COIL AIRWOUND
L5806 & L5809	2480067M01	CHK RF CHIP BEAD INDUCTOR 28MZ
L5810	2484657R01	INDUCTOR BEAD CHIP
L5820, L5821 & L5850	2480091G21	COIL AIRWOUND
L5851	2480091G23	COIL AIRWOUND
L5852	2484657R01	INDUCTOR BEAD CHIP

ITEM	MOTOROLA PART NUMBER	DESCRIPTION
L5853	2480091G21	COIL AIRWOUND
L5854	2484657R01	INDUCTOR BEAD CHIP
L5875	2480091G21	COIL AIRWOUND
L5876	2480091G36	COIL AIRWOUND
L5878	2480090G03	COIL AIRWOUND
L5879	2480090G05	COIL AIRWOUND
L5883	2484657R01	INDUCTOR BEAD CHIP
L5900	2480091G06	COIL AIRWOUND
L5901	-----	NOTPLACED
L5902 & L5903	2480091G24	COIL AIRWOUND
L5904 & L5920	2480091G36	COIL AIRWOUND
L5921 & L5922	2480090G03	COIL AIRWOUND
L5923	2480091G36	COIL AIRWOUND
MP5801 thru MP5803	2980014A03	CLIP COAX TERMINAL
P0853	0980103M04	RECEPTICAL RIGHT ANGLE 12 POS
Q5800	4880141L01	TSTR PNP SOT23 LO PROFILE TAPE
Q5801	4880182D50	TSTR SI SORF 4V 750MW 960MHZ
Q5803	4880225C09	TSTR M25C09
Q5806	4880141L02	TSTR NPN SOT23 LO PROFILE TAPE
Q5850	4880225C27	TSTR RF MRF654F IN CS12 PKG
Q5875	4880225C30	TSTR RF 14W/50W UHF .5 CQ
R5801	0611077A30	RES CHIP 15 5 1/8W
R5802	0611077A50	RES CHIP 100 5 1/8W
R5803	0611077A82	RES CHIP 2200 5 1/8
R5805	0611077A26	RES CHIP 10 5 1/8W
R5806	0611077A50	RES CHIP 100 5 1/8W
R5807	0611077A82	RES CHIP 2200 5 1/8
R5808	0611077A90	RES CHIP 4700 5 1/8
R5809	0611077A78	RES CHIP 1500 5 1/8
R5810	0611077A26	RES CHIP 10 5 1/8W
R5811	0611077A74	RES CHIP 1000 5 1/8
R5812	0611077A01	RES CHIP JUMPER
R5813	-----	NOTPLACED
R5816	0611077A80	RES CHIP 1800 5 1/8
R5817	0611077A74	RES CHIP 1000 5 1/8
R5818	0611077A62	RES CHIP 330 5 1/8W
R5850	0611077A10	RES CHIP 2.2 5 1/8W
R5872 & R5873	0611077A50	RES CHIP 100 5 1/8W
R5875	1780228N01	RESISTOR SHUNT
R5876	0611077B11	RES CHIP 33K 5 1/8W
R5877	0611077A94	RES CHIP 6800 5 1/8
R5878	0611077A86	RES CHIP 3300 5 1/8

ITEM	MOTOROLA PART NUMBER	DESCRIPTION
R5879	0611077A10	RES CHIP 2.2 5 1/8W
R5880	0611077A10	RES CHIP 2.2 5 1/8W
R5881	0611077A19	RES CHIP 5.1 5 1/8W
R5882	0611077A19	RES CHIP 5.1 5 1/8W
R5883 & R5884	0611077A10	RES CHIP 2.2 5 1/8W
R5900 & R5901	0680194M18	RES 51 OHMS 5% 1W
R5902 & R5903	-----	NOTPLACED
R5904	0611077A80	RES CHIP 1800 5 1/8
R5905	0611077B11	RES CHIP 33K 5 1/8W
R5906	0611077A50	RES CHIP 100 5 1/8W
R5920 & R5921	0680194M18	RES 51 OHMS 5% 1W
R5922 & R5923	0611077A78	RES CHIP 1500 5 1/8
R5931 & R5932	0611077A01	RES CHIP JUMPER
R5933	-----	NOTPLACED
R5934	0611077A01	RES CHIP JUMPER
RT5875 & RT5904	0680149M02	THERMISTOR CHIP 100K OHM
	8480198N34	BD CKT 40W UHF PA PNL

HLE6049B/C UHF R1 40-Watt PA Parts List

ITEM	MOTOROLA PART NUMBER	DESCRIPTION
C5801 & C5804	2113741N45	CAP CHIP CL2 X7R 10% 10000
C5805	2113740B24	CAP CHIP REEL CL1 +/-30 9.1
C5806	2113740B34	CAP CHIP REEL CL1 +/-30 24
C5807 & C5808	2113740B49	CAP CHIP REEL CL1 +/-30 100
C5810	2113741N69	CAP CHIP CL2 X7R 10% 100000
C5811	2113740B49	CAP CHIP REEL CL1 +/-30 100
C5813	2113741N45	CAP CHIP CL2 X7R 10% 10000
C5815	2113740B49	CAP CHIP REEL CL1 +/-30 100
C5816	2113743G24	CAP CHIP 2.2 UF 16V +80-20%
C5820	2113740B27	CAP CHIP REEL CL1 +/-30 12
C5821	2113740B28	CAP CHIP REEL CL1 +/-30 13
C5822	2113740B07	CAP CHIP REEL CL1 +/-30 1.8
C5823	2113740B24	CAP CHIP REEL CL1 +/-30 9.1
C5824	2113740B28	CAP CHIP REEL CL1 +/-30 13
C5826	2113741N45	CAP CHIP CL2 X7R 10% 10000
C5850	2113740B11	CAP CHIP REEL CL1 +/-30 2.7
C5851	2113740B39	CAP CHIP REEL CL1 +/-30 39
C5852	2113740B35	CAP CHIP REEL CL1 +/-30 27
C5853	-----	NOTPLACED
C5854	2111078B42	CAP CHIP RF 100 5 NPO 100V

ITEM	MOTOROLA PART NUMBER	DESCRIPTION
C5855	2111078B27	CAP CHIP RF 30 5 NPO 100V
C5856	2113740B49	CAP CHIP REEL CL1 +/-30 100
C5857	2113741N45	CAP CHIP CL2 X7R 10% 10000
C5858	2113740B17	CAP CHIP REEL CL1 +/-30 4.7
C5860 & C5861	2113740B49	CAP CHIP REEL CL1 +/-30 100
C5862	2113740B49	CAP CHIP REEL CL1 +/-30 100
C5863	2113743G24	CAP CHIP 2.2 UF 16V +80-20%
C5864	2113740B49	CAP CHIP REEL CL1 +/-30 100 thru C5869
C5875 & C5876	2111078B32	CAP CHIP RF 39 5 NPO 100V
C5877 & C5878	2184366F08	CAP MICA 40 5 250V
C5879	-----	NOTPLACED
C5880	2111078B22	CAP CHIP RF 22 5 NPO 100V
C5881	2113740B49	CAP CHIP REEL CL1 +/-30 100
C5883	2113741N45	CAP CHIP CL2 X7R 10% 10000
C5884	2113741N69	CAP CHIP CL2 X7R 10% 100000
C5885	2380090M24	CAP ALU 10 20 50V SURF MT
C5886	2113741N21	CAP CHIP CL2 X7R 10% 1000
C5887	2111078B22	CAP CHIP RF 22 5 NPO 100V
C5888 & C5889	2113740B49	CAP CHIP REEL CL1 +/-30 100
C5890	2113740B49	CAP CHIP REEL CL1 +/-30 100
C5891	2113740B24	CAP CHIP REEL CL1 +/-30 9.1
C5892	2111078B15	CAP CHIP RF 12 5 NPO 100V
C5893	2113741N45	CAP CHIP CL2 X7R 10% 10000
C5894	-----	NOTPLACED
C5895	2113741N21	CAP CHIP CL2 X7R 10% 1000
C5900	-----	NOTPLACED
C5901	2113740B49	CAP CHIP REEL CL1 +/-30 100
C5902	-----	NOTPLACED
C5903	2113740B17	CAP CHIP REEL CL1 +/-30 4.7
C5904	2113740B28	CAP CHIP REEL CL1 +/-30 13
C5905	2113740B21	CAP CHIP REEL CL1 +/-30 6.8
C5906	2113740B49	CAP CHIP REEL CL1 +/-30 100
C5920	2113743G24	CAP CHIP 2.2 UF 16V +80-20%
C5922	2111078B42	CAP CHIP RF 100 5 NPO 100V
C5923	2111078B01	CAP CHIP RF 3.3 .25 NPO 100V
C5924	2111078B08	CAP CHIP RF 6.2 .25 NPO 100V
C5926 & C5927	2111078B42	CAP CHIP RF 100 5 NPO 100V
C5928	2113740B34	CAP CHIP REEL CL1 +/-30 24
C5930 & C5931	2113740B49	CAP CHIP REEL CL1 +/-30 100
CR5875	4880236E07	DIODE TRANSIENT SUP
CR5900	4813825A05	DIODE 30V HOT CARRIER MMBD301L
CR5920 & CR5921	4880236E24	DIODE PIN